

**TAIDEN®**

*HSC-106W 6.5-inch Ceiling Loudspeaker*

*Excellent conferencing solutions*



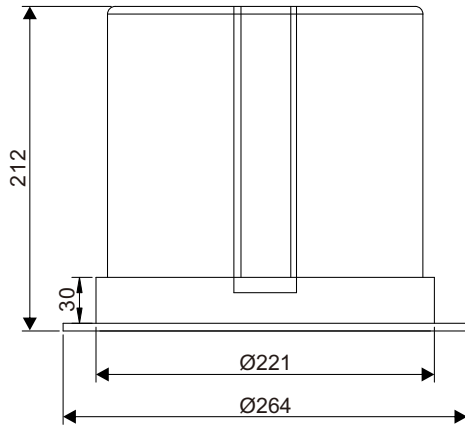
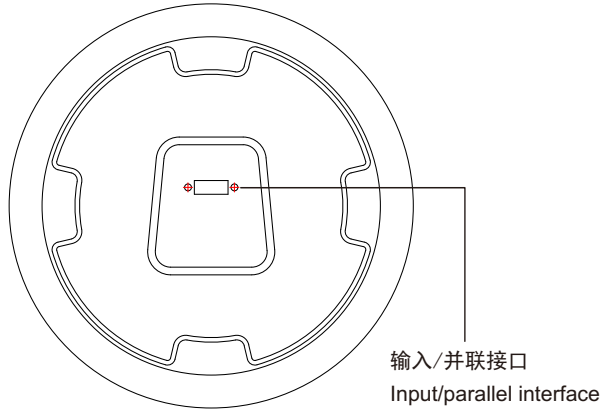
6.5英寸吸顶扬声器

User's Manual

用户手册

V 1.1

## 尺寸和背面板 / Dimensions and back panel



开孔尺寸: Ø221mm, 顶部预留高度大于212mm

Hole size: Ø221mm, the reserved height at the top is greater than 212mm

## 产品概述

区别于常规吸顶扬声器, HSC系列使用专业类型同轴单元组成, 具有更高的灵敏度以及更好的动态余量设计。HSC-106W具有110°扩散角, 利于提升声场均匀度, 获取更高的传声增益。

## 特点

1×6.5"+1×1.4"同轴驱动单元

磁吸面罩

110° 扩散角

## 技术参数

频率响应.....	90Hz-18kHz (±3dB) 80Hz-20kHz (-10dB)
灵敏度.....	94dB
标称阻抗.....	8 Ohm
额定功率.....	150W(AES)
低音单元.....	1×6.5"
高音单元.....	1×1.4"
标称覆盖角.....	110°(H)×110°(V)
最大声压级.....	116dB SPL, 122 dB SPLpeak
输入接口.....	2pin弹簧接线端子
箱体材料.....	ABS面板+金属箱体
尺寸.....	Ø264×212 (mm)
重量.....	5.0 kg

## Overview

Differ from conventional ceiling speakers, HSC series is composed of professional coaxial units, which has higher sensitivity and larger dynamic range. HSC-106W has a 110° coverage angle, which is beneficial to improve the uniformity of the sound field and obtain higher sound transmission gain.

## Features

1×6.5"+1×1.4" coaxial drive units

Magnetic mesh cover

110° wide coverage

## Specifications

Frequency Range.....	90Hz-18kHz (±3dB) 80Hz-20kHz (-10dB)
Sensitivity.....	94dB
Nominal Impedance.....	8 Ohm
Rated Power.....	150W (AES)
Woofer .....	1×6.5"
Tweeter .....	1×1.4"
Coverage pattern.....	110° (H) × 110° (V)
Max SPL.....	116dB SPL, 122dB SPL peak
Input Interface.....	2pin spring terminal
Enclosure Material.....	ABS panel + metal box
Dimensions .....	Ø264×212 (mm)
Weight.....	5.0 kg